

PUMP #1 CONNECTOR		
VOLTAGE	120V	240V
GREEN / GROUND	P69	P69
WHITE / COM	P48	P57
RED / LOW SPEED	P37	P37
BLACK / HIGH SPEED	P65	P65

PUMP #2 CONNECTOR		
VOLTAGE	120V	240V
GREEN / GROUND	P70	P70
WHITE / COM	P45	P58
RED / LOW SPEED	P22	P22
BLACK / HIGH SPEED	P35	P35



TSPA-MP-P122-P222-O1-NE-A11-A21
-2H35.0-RTC-IR-SPW-AU11-JJM-CC2
11059-01F

OZONE CONNECTOR		
VOLTAGE	120V	240V
GREEN / GROUND	P73	P73
WHITE / COM	P46	P60
BLACK / LINE	P30	P30

ACCESSORY CONNECTOR		
VOLTAGE	120V	240V
GREEN / GROUND	P77	P77
WHITE / COM	P47	P61
BLACK / LINE	P34	P34

FIBER BOX CONNECTOR	
VOLTAGE	120V
GREEN / GROUND	P75
WHITE / COM	P50
BLACK / LIGHT	P24
RED / MOTOR	P28

LIGHT CONNECTOR	
LIGHT 1	P14

RF BOX	
GROUND	P116
12 VDC (SWITCHED)	P112

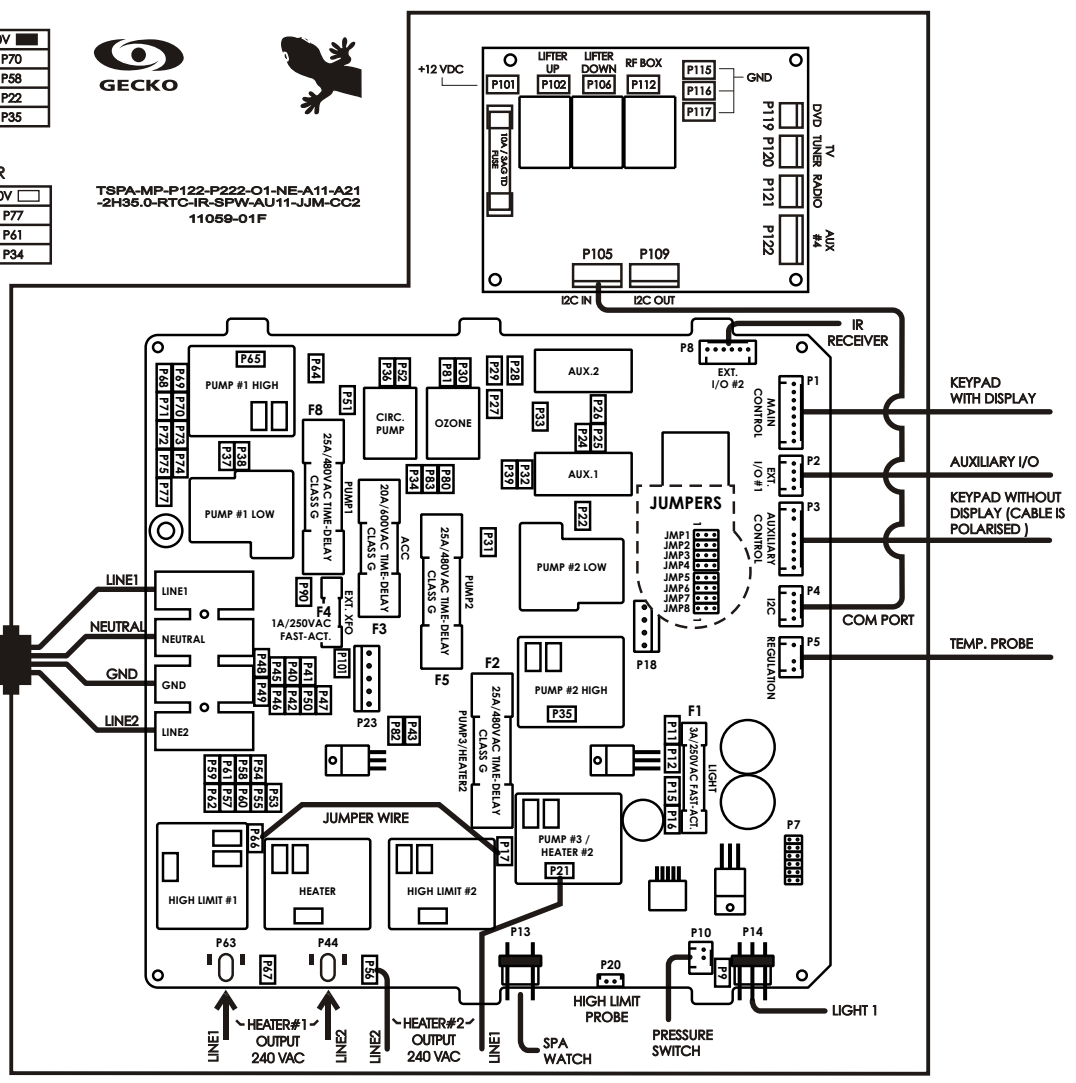
FAN 1 CONNECTOR		
VOLTAGE	120V	240V
GROUND	P74	P74
WHITE	P41	P54
BLACK	P36	P36

LIFTER	
GROUND	P115
LIFTER UP	P102
LIFTER DOWN	P106

FAN 2 CONNECTOR		
VOLTAGE	120V	240V
GREEN	P71	P71
WHITE	P40	P53
BLACK	P52	P52

HEATER CONNECTOR		
VOLTAGE	240V	
HEATER #1 (4kw)	P63, P44	
HEATER #2 (1kw)	P21, P56	

- USE COPPER CONDUCTORS ONLY.
- CONNECT ONLY TO A CIRCUIT PROTECTED BY A CLASS A, GROUND FAULT CIRCUIT INTERRUPTER (GFCI).
- FOR SUPPLY CONNECTIONS, USE CONDUCTORS SIZED ON THE BASIS OF 60°C AMPACITY BUT RATED MINIMUM 90°C.
- SUITABLE ONLY FOR INDOOR USE OR WHEN INSTALLED UNDER THE WEATHERPROOF SKIRT OF A SPA.
- PLEASE MAKE SURE THAT LOW-LEVEL PARAMETERS ARE PROPERLY SET AFTER INITIAL POWER-UP.



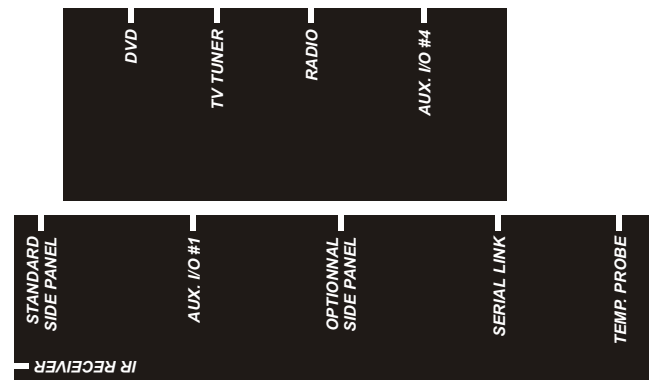
GECKO ID 0200-205009		Options:	
Model: TSPA-MP-P122-P222-O1		Options: NE-A11-A21-2H35.0-RTC-IR-SPW-AU11-JJM-CC2	
PUMP #1	20FLA	ACCESSORY	1A
PUMP #2	20FLA	LIFTER	12VDC 4A
OZONE	1A	RF BOX	12VDC 4A
LIGHT	12VAC 2A	SERIAL # :	
FIBER BOX	1A	INPUT 12VDC	8A
HEATER #1	17A	INPUT 240VAC	60Hz 50A MAX
HEATER #2	5A		

TSPA-MP

Fuses are located under the cover.
Replace only with the same type of fuses.

Model:	TSPA-MP-P122-P222-O1	Options:	NE-A11-A21-2H35.0-RTC-IR-SPW-AU11-JJM-CC2
ID Number:	0200-205009		

BONDING LUG



WARNING:
BEFORE OBTAINING ACCESS TO TERMINALS,
ALL SUPPLY CIRCUITS MUST BE DISCONNECTED