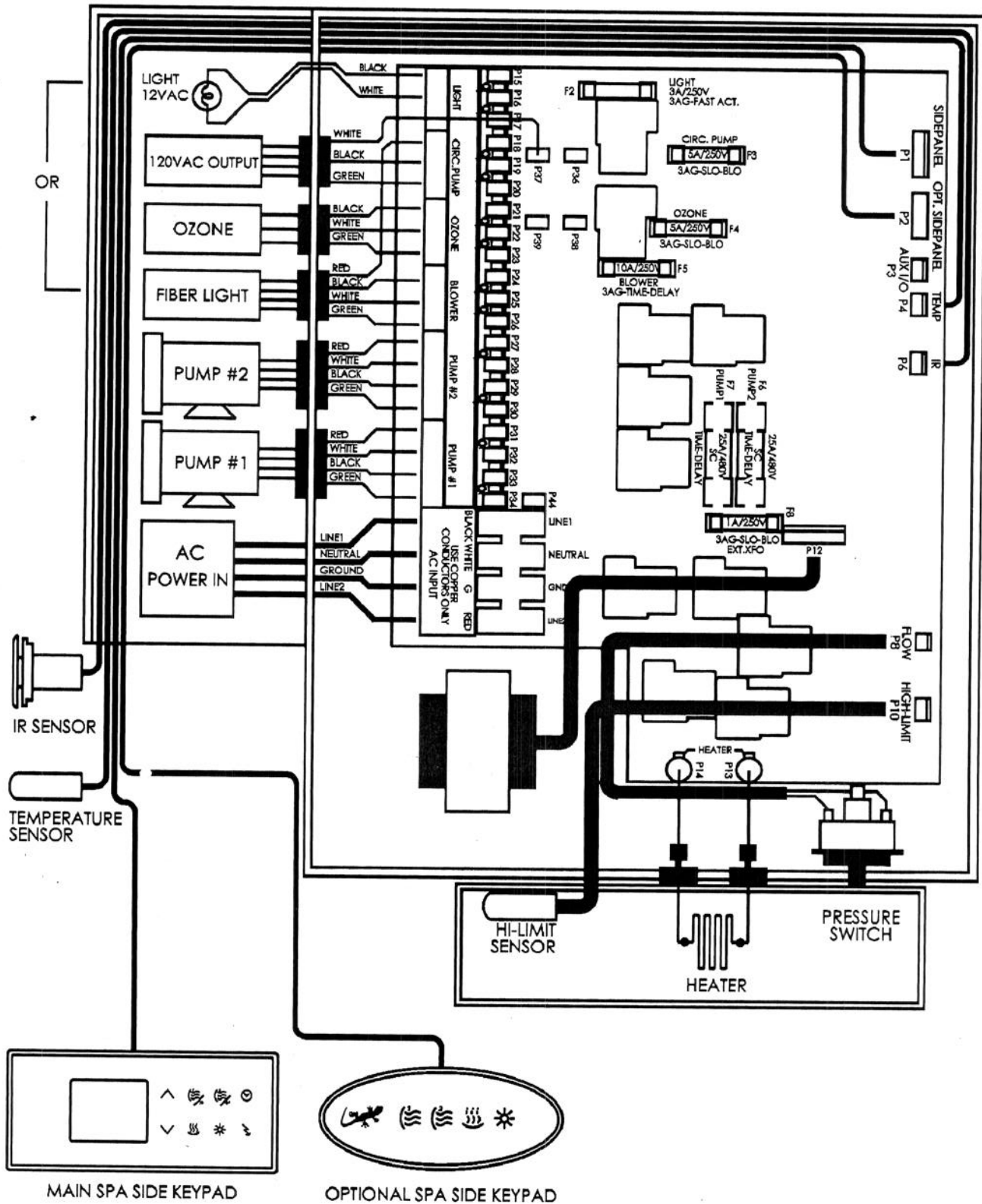


WARNING: PLEASE OBTAINING ACCESS TO TERMINALS



USE COPPER CONDUCTORS ONLY.
CONNECT ONLY TO A CIRCUIT PROTECTED BY A CLASS A, GROUND FAULT CIRCUIT INTERRUPTER (GFCI).
FOR SUPPLY CONNECTIONS, USE CONDUCTORS SIZED ON THE BASIS OF 60°C AMPACITY BUT RATED MINIMUM 90°C.
SUITABLE ONLY FOR INDOOR USE OR WHEN INSTALLED UNDER THE WEATHERPROOF SKIRT OF A SPA.
PLEASE MAKE SURE THAT LOW-LEVEL PROGRAMMING IS PROPER