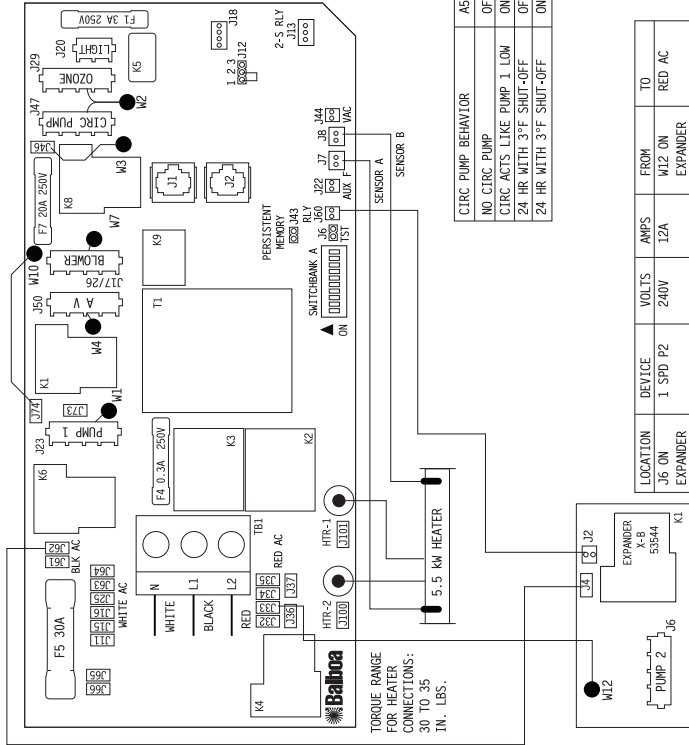


CONNECT ONLY TO CIRCUITS PROTECTED BY A CLASS A GFCI.
A DISCONNECT MEANS MUST BE INSTALLED WITHIN SIGHT FROM THE EQUIPMENT AND AT LEAST 5 FEET (1.52 M) FROM THE INSIDE WALLS OF THE POOL, SPA, OR HOT TUB.

CONTROL PANEL
TO J1



USE COPPER CONDUCTORS ONLY.
EMPLOYER UNIFORM.
DES CONDUCTEURS DE CUIVRE.
#6 AND MIN. WIRE= 90°
FOR SUPPLY CONNECTIONS.
USE CONDUCTORS SIZED ON THE BASIS OF 60°C AMPACITY BUT RATED MINIMUM OF 90°C.
TORQUE RANGE FOR MAIN TERMINAL BLOCK: 27-30 IN. LBS.

SWITCHBANK A OFF (DOWN)	SWITCHBANK A ON (UP)
TEST MODE OFF	A1 TEST MODE ON
SEE TABLE 1	A2 SEE TABLE 1
EXT RELAY BOARD DISABLED	A3 EXT RELAY BOARD ENABLED
AUX FREEZE (MUST BE OFF)	A4 AUX FREEZE (MUST BE OFF)
SEE CIRC PUMP BEHAVIOR	A5 SEE CIRC PUMP BEHAVIOR
60HZ	A6 50HZ
J17/26 DISABLED	A7 J17/26 ENABLED
DEGREES F	A8 DEGREES C
SEE CIRC PUMP BEHAVIOR	A9 SEE CIRC PUMP BEHAVIOR
SEE TABLE 1	A10 SEE TABLE 1

ALL UNUSED SWITCHES SHOULD BE OFF

TABLE 1

# OF HIGH-SPEED PUMPS AND/OR BLOWER WITH HEATER	A2	A10
0 HIGH-SPEED PUMP OR BLOWER	OFF	OFF
1 HIGH-SPEED PUMP OR BLOWER	ON	OFF
2 HIGH-SPEED PUMPS OR 1 HIGH-SPEED PUMP AND BLOWER	OFF	ON
3 HIGH-SPEED PUMPS OR 2 HIGH-SPEED PUMPS AND BLOWER	ON	ON

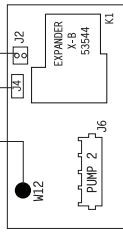
CIRC PUMP BEHAVIOR	A5	A9	PUMP 1 SPEEDS
NO CIRC PUMP	OFF	OFF	2-SPEED
CIRC ACTS LIKE PUMP 1 LOW	ON	OFF	1-SPEED
24 HR WITH 3°F SHUT-OFF	OFF	ON	1-SPEED
24 HR WITH 3°F SHUT-OFF	ON	ON	2-SPEED

LOCATION	DEVICE	VOLTS	AMPS	FROM	TO
J23	2 SPD P1	240V	12A	W1	RED AC
J47	CIRC PUMP BLOWER	120V	4A	W2	WHT AC
J17/26	AV	240V	12A	W7	RED AC
J50	OZONE	120V	2A	W4	WHT AC
J29	LIGHT	120V	12W	W2	WHT AC
HTR	HEATER	240V	5.5KW	HTR TERM	HTR 1/2

TOTAL OUTPUT AMP DRAW NOT TO EXCEED MAX INPUT RATING OF SPA
CIRC PUMP IS AN OPTIONAL DEVICE. SEE CIRC PUMP BEHAVIOR TABLE.

USE EARTH GROUND CONNECTIONS AS INDICATED INSIDE THE SYSTEM ENCLOSURE

LOCATION	DEVICE	VOLTS	AMPS	FROM	TO
J6 ON EXPANDER	1 SPD P2	240V	12A	W12 ON EXPANDER	RED AC



TORQUE RANGE FOR HEATER CONNECTIONS: 30 TO 35 IN. LBS.

5.5 kW HEATER

SENSOR A

SENSOR B

PERSISTENT MEMORY

2-S RLY

J18

J12

J11

J10

J9

J8

J7

J6

J5

J4

J3

J2

J1

J0

J-1

J-2

J-3

J-4

J-5

J-6

J-7

J-8

J-9

J-10

J-11

J-12

J-13

J-14

J-15

J-16

J-17

J-18

J-19

J-20

J-21

J-22

J-23

J-24

J-25

J-26

J-27

J-28

J-29

J-30

J-31

J-32

J-33

J-34

J-35

J-36

J-37

J-38

J-39

J-40

J-41

J-42

J-43

J-44

J-45

J-46

J-47

J-48

J-49

J-50

J-51

J-52

J-53

J-54

J-55

J-56

J-57

J-58

J-59

J-60

J-61

J-62

J-63

J-64

J-65

J-66

J-67

J-68

J-69

J-70

J-71

J-72

J-73

J-74

J-75

J-76

J-77

J-78

J-79

J-80

J-81

J-82

J-83

J-84

J-85

J-86

J-87

J-88

J-89

J-90

J-91

J-92

J-93

J-94

J-95

J-96

J-97

J-98

J-99

J-100

J-101

J-102

J-103

J-104

J-105

J-106

J-107

J-108

J-109

J-110

J-111

J-112

J-113

J-114

J-115

J-116

J-117

J-118

J-119

J-120

J-121

J-122

J-123

J-124

J-125

J-126

J-127

J-128

J-129

J-130

J-131

J-132

J-133

J-134

J-135

J-136

J-137

J-138

J-139

J-140

J-141

J-142

J-143

J-144

J-145

J-146

J-147

J-148

J-149

J-150

J-151

J-152

J-153

J-154

J-155

J-156

J-157

J-158

J-159

J-160

J-161

J-162

J-163

J-164

J-165

J-166

J-167

J-168

J-169

J-170

J-171

J-172

J-173

J-174

J-175

J-176

J-177